

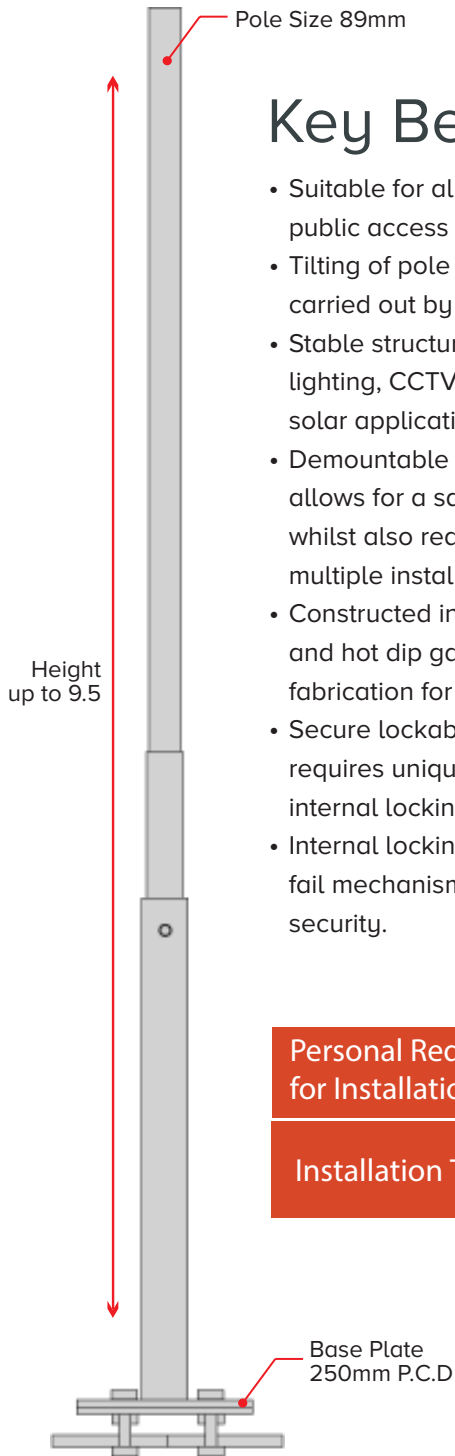
EZY Winch Heavy Duty



EZYwinch - Heavy duty

Manufactured in 2 sections to assist with transport and installation, the Heavy Duty Winch Pole is our most widely used pole due to its versatility and ability to hold heavy loads up to 9.5 metres.

The pole is lowered and raised with the aid of a 'demountable' manual winch frame that attaches to the lower section of the pole. The pole effortlessly and safely lowers to the ground and then can be easily 'winched' back up to its standing position.



Key Benefits

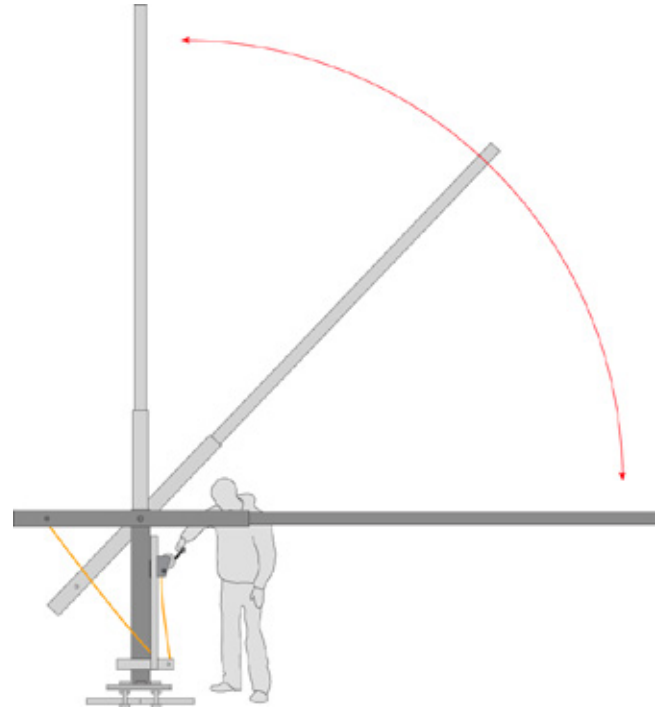
- Suitable for all industrial and public access areas.
- Tilting of pole can usually be carried out by a single operator.
- Stable structure for all types of lighting, CCTV, Monitoring and solar applications.
- Demountable winch assembly allows for a safe installation whilst also reducing costs on multiple installations.
- Constructed in high tensile steel and hot dip galvanised after fabrication for durability.
- Secure lockable access panel requires unique tool to access internal locking mechanisms.
- Internal locking and preventative fail mechanism for additional security.

Personal Required for Installation



Installation Time

30-60 minutes



POLE LOWERING PROGRESSION



The compact portable lowering tool attaches directly to the base of the pole.

WINCH P/N EW-PLT950

Product Code	Max Height (Meters)	Pole Top (Diameter)	Max Load	Base Plate	Finish
EW-HD-6.5M	6.5	89mm	50kg*	250mm PCD	Hot-Dip Galvanised
EW-HD-9.3M	9.3	89mm	15kg*	250mm PCD	Hot-Dip Galvanised
EW-XHD-8.0M	8.0	89mm	50kg*	250mm PCD	Hot-Dip Galvanised

*Maximum Load to be confirmed with engineering report from EZYPole.